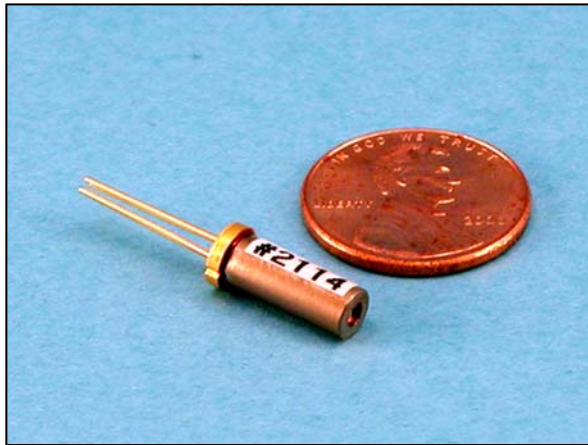


## 785 nm Single Mode Spectrum Stabilized Laser

### Model # I0785S50100B



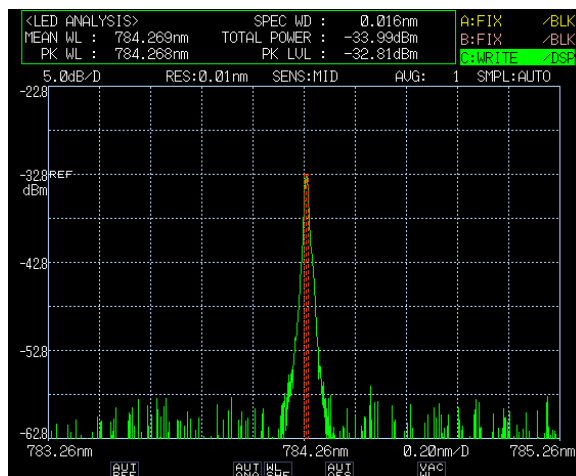
#### Features:

- High Power Single Mode Output (>100 mW)
- Ultra-Narrow Spectral Bandwidth (< 100 MHz)
- Stabilized Output Spectrum (< 0.007 nm/°C)
- Circularized & Collimated Output Beam
- Integral Laser Line Filter
- Integral Thermistor
- Integral ESD Protection

Innovative Photonic Solution's proprietary Single-Mode Spectrum Stabilized Laser features high output power with ultra-narrow spectral bandwidth and a diffraction limited output beam. Designed to replace expensive DFB, DBR, fiber, and external cavity lasers, the Single-Mode Spectrum Stabilized Laser offers superior wavelength stability over time, temperature (0.007 nm/°C), and vibration, and is manufactured to meet the most demanding wavelength requirements.

The I0785S50100B comes standard with a circularized and collimated output beam, integral laser line filter, internal thermistor and ESD protection. Lasing wavelength can be accurately specified and repeatedly manufactured to within 0.1 nm. The laser is ideal for high resolution Raman spectroscopy, confocal microscopy, metrology and interferometry applications.

#### Typical Spectral Plot:



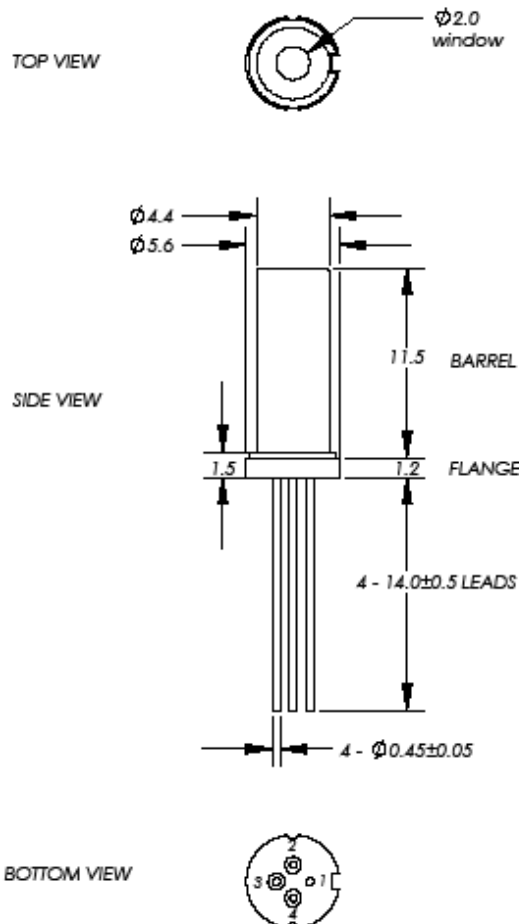
785 nm SS Laser Spectrum @ 25 deg C

Ultra-Stable Performance  
With Spectral Linewidth  
As Low As 150 KHz

## Product Specifications:

Parameter	Unit	Min	Typ	Max	Notes
Optical output power	mW	100	120		Circularized & collimated output beam with <0.7 mm dia (1.5:1 aspect ratio) and <2.5 mrad divergence
Output power stability	%		± 1		
Peak wavelength	nm	784	785	786	
3 dB bandwidth (FWHM)	nm		<100 MHz	0.03	
Wavelength Stability Range	Deg C	15		45	Minimum case temperature range where laser remains locked and no side bands are existant
Polarization Extinction Ratio	dB	17	20		

## Mechanical Specifications:



### PRODUCT SPECIFICATION

Revision: 2/2/2010

#### (1) Features

- Single-mode wavelength stabilized laser diode
- collimated circular optical beam
- integrated Raman laser line filter (Semrock LL01-785)
- integrated ESD protection

#### (2) Electrical Pin-out (see bottom view)

- pin 1: LD Anode (+); case ground; (optional: PD Cathode)
- pin 2: LD Cathode (-)
- pin 3: Thermistor; (optional: PD Anode)
- pin 4: Thermistor - 10 kOhm @ 25 deg. C

#### (3) Optical Specifications

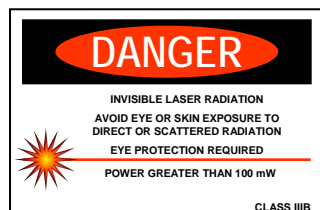
- Single-mode wavelength stabilized laser diode
- Optical output power: 100 mW typ
- Wavelength: 785 nm +/- 0.5 nm (measured in air)
- Side-mode suppression: 45 dB MIN
- Long-wavelength suppression: 100 dB MIN
- Linewidth: 0.03 nm MAX; Less than 100 MHz TYP
- Optical beam diameter: 0.5 - 1.0 mm
- Beam aspect ratio: 1:1.5 MAX
- Beam divergence: 2 mrad MAX
- Polarization: 20 dB MIN; in plane with two triangular notches

#### (4) Operating conditions

- Operating current: 200 mA MAX
- Threshold current: 30 mA TYP
- Operating temperature range: 15-45 deg C
- Preferred operating temperature: 30-35 deg C
- Laser stays locked over entire operating range

#### (5) Mechanical Specifications

- Device is compatible with industry-standard TO-56 mounts
- Device needs to be mounted and heat-sunk using its flange
- Barrel is not designed for heat-sinking or mechanical support



## OEM Laser Product

This laser module is designed for use as a component (or replacement) part and is thereby exempt from 21 CFR1040.10 and 1040.11 provisions.